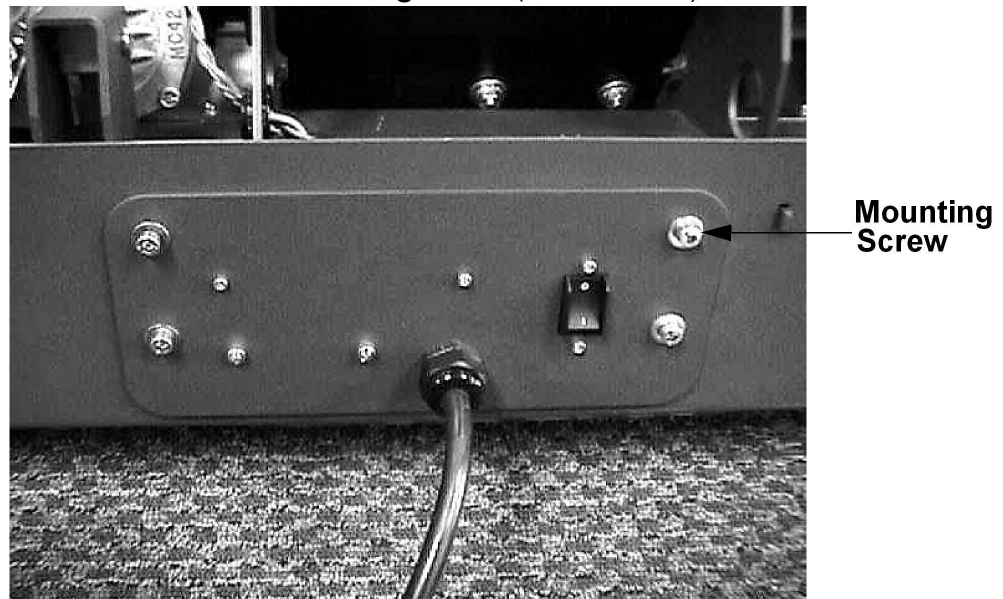


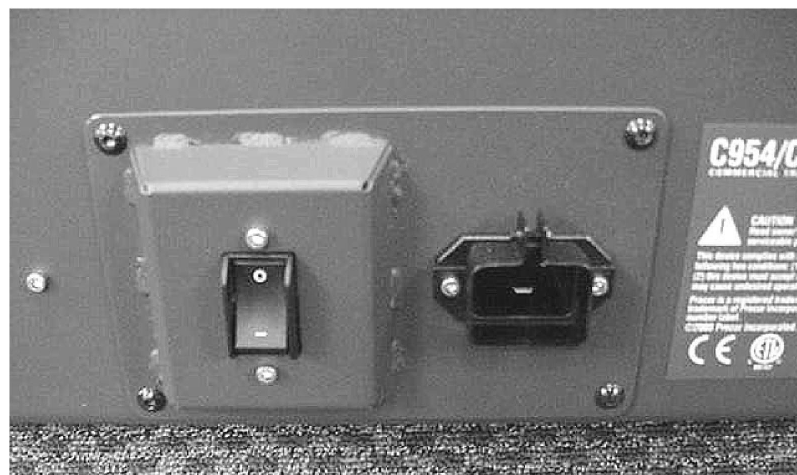
## Procedure 6.8 ó Replacing the Circuit Breaker

1. Set the treadmill circuit breaker in the ìoffí position and unplug the treadmillís line cord from the AC outlet.
2. Remove the four screws that fasten the circuit breaker mounting plate to the treadmill. See Diagram 6.10.

**Diagram 6.10 ó Circuit Breaker Mounting Panel (version 1 & 2)**



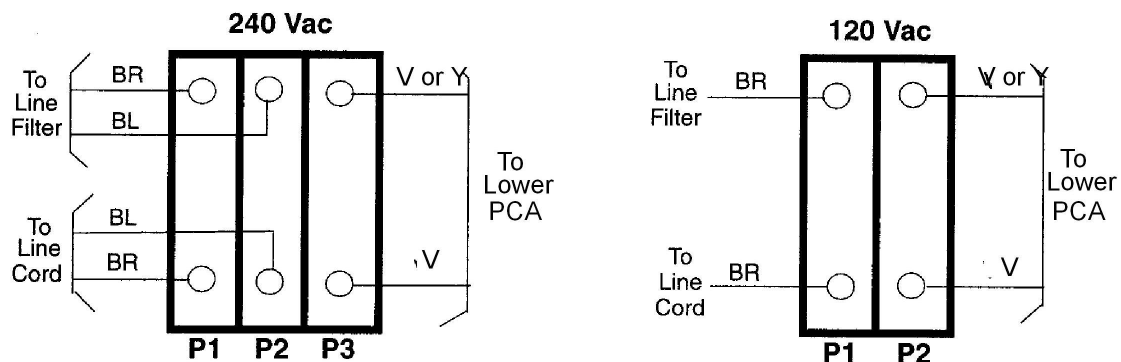
**Diagram 6.11 ó Circuit Breaker Mounting Panel (version 3)**



3. Disconnect all of the wiring from the circuit breaker.

4. Remove the circuit breaker mounting screws. Remove the circuit breaker from the treadmill.
5. Set the replacement circuit breaker in its mounting position. Fasten the circuit breaker to the circuit breaker mounting panel using the screws removed in step 4.
6. Connect the wiring to the circuit breaker per Diagram 6.12.

### Diagram 6.12 6 Circuit Breaker Wiring



7. Set the circuit breaker mounting panel in its mounting position. Fasten the circuit breaker mounting panel to the treadmill using the screws removed in step 2.
8. Check treadmill operation per Section 3.